

(MOUNTING DIMENSIONS FOR P. C. BOARD,
TOLERANCE±0.1)
 プリント基板取付寸法図
 一般公差：±0.1
 (公差は累積しないこと)
 (NON ACCUMULATE TOLERANCE)

- NOTES**
- △ MUST BE KEPT BETWEEN EX AND 2
 - 2 THE MATING PLUG HSG. PART NUMBER; 174516, 174515, 174514
 - 3 RECOMMENDED MOUNTING SCREW; 3mm DIA, 6mm LENGTH (MAX.) PAN HEAD, CLASS 2 TAPPING SCREW SPECIFIED IN JIS B1115, B1122
 - < TIGHTENING TORQUE; 0.4N.m (4Kg-cm) MAX. >
 - 4 APPLICABLE PRODUCT. SPEC NO. 108-5280
 - △ CIRCUIT NUMBER ; SEE FIG. 1
 - POWER CIRCUIT NO. ① ~ ⑬
 - SIGNAL CIRCUIT NO. ⑭ ~ ⑥④
 - △ INDICATED PREFIX AND ID MARK OF PRODUCT P/N BY COLOR HOT MARK
- 注記**
- △ [-X-] 面から2mmの範囲で測定
 - 2. 嵌合相手ハウジング型 174516, 174515, 174514
 - 3. 推奨取付ねじ: JIS B1115, B1122 タッピンねじ, なべ2種 呼び径3, 長さ6mm以下 (締付トルク: 0.4N.m(4Kg-cm)以下)
 - 4. 適用製品規格番号: 108-5280
 - △ 回路番号; FIG.1参照のこと
 - パワー回路: ① ~ ⑬
 - シグナル回路: ⑭ ~ ⑥④
 - △ 適用製品型番のアブリックス及びIDマークを カラーホットマークにて表示

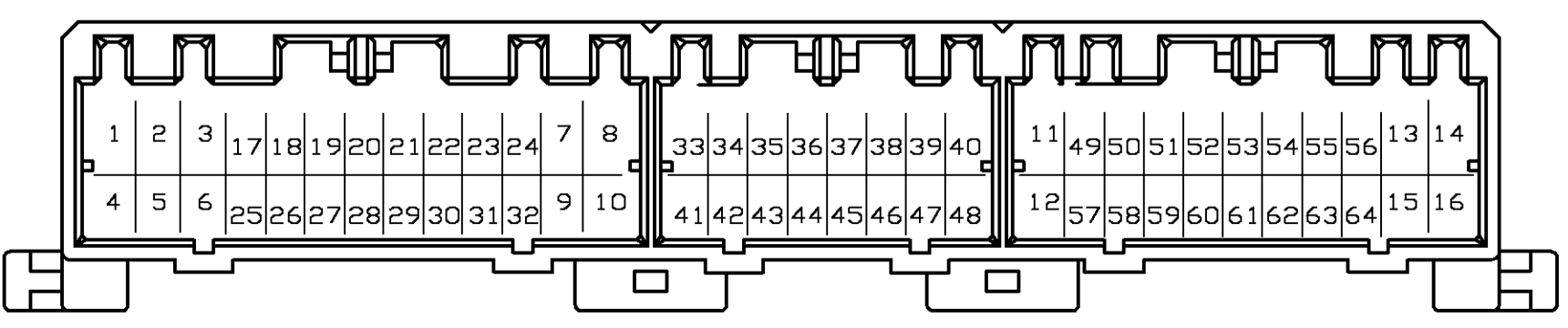
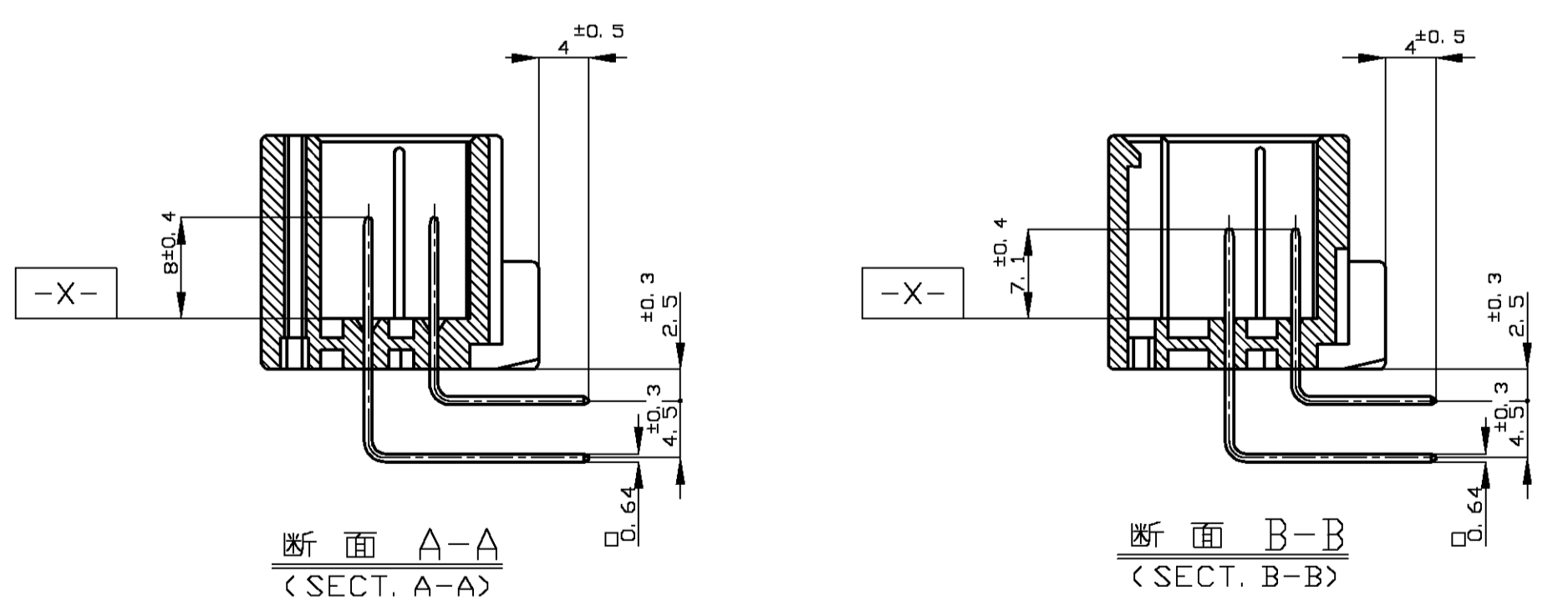


FIG.1

MARKING	NO	CONTACT	CIRCUIT NO.	FINISH OF CONTACT	CIRCUIT NO. OF GOLD PLATED CONTACT	POWER CIRCUIT NO.	SIGNAL CIRCUIT NO.	HOUSING COLOR	P/N
ABSOLUTE	9	---	---	TIN-LEAD PL. GOLD PLATED	---	① - ⑬	⑭ - ⑥④	WHITE 白色	9-178764-9
	9	---	---	PRE-TINNED GOLD PLATED	---	① - ⑬	⑭ - ⑥④	GRAY 灰色	9-178764-6
	8	---	---	PRE-TINNED GOLD PLATED	---	---	⑭ - ⑥④	YELLOW 黄色	8-178764-7
	7	---	---	PRE-TINNED GOLD PLATED	---	---	⑭ - ⑥④	YELLOW 黄色	7-178764-7
	6	---	---	PRE-TINNED GOLD PLATED	---	① - ⑬	⑭ - ⑥④	WHITE 白色	6-178764-1
	5	---	---	PRE-TINNED GOLD PLATED	---	① - ⑬	⑭ - ⑥④	YELLOW 黄色	5-178764-7
	4	---	---	PRE-TINNED GOLD PLATED	---	① - ⑬	⑭ - ⑥④	YELLOW 黄色	4-178764-7
	3	---	---	PRE-TINNED GOLD PLATED	---	① - ⑬	⑭ - ⑥④	YELLOW 黄色	3-178764-7
	2	---	---	PRE-TINNED GOLD PLATED	---	① - ⑬	⑭ - ⑥④	GRAY 灰色	2-178764-6
	2	---	---	PRE-TINNED GOLD PLATED	---	① - ⑬	⑭ - ⑥④	YELLOW 黄色	2-178764-7
	2	---	---	PRE-TINNED GOLD PLATED	---	① - ⑬	⑭ - ⑥④	GRAY 灰色	2-178764-6
	2	---	---	PRE-TINNED GOLD PLATED	---	① - ⑬	⑭ - ⑥④	WHITE 白色	2-178764-1
	1	---	---	GOLD PLATED	---	① - ⑬	⑭ - ⑥④	YELLOW 黄色	1-178764-7
	1	---	---	GOLD PLATED	---	① - ⑬	⑭ - ⑥④	GRAY 灰色	1-178764-6
	0	---	---	---	---	---	---	YELLOW 黄色	178764-7
	A	---	---	---	---	---	---	WHITE 白色	178764-2
	0	---	---	---	---	---	---	WHITE 白色	178764-1

THIS DRAWING IS A CONTROLLED DOCUMENT.

DIMENSIONS: mm	TOLERANCES UNLESS OTHERWISE SPECIFIED	DRAWN: I. SHINOHARA	DATE: 03AUG05		Tyco Electronics AMP K.K. Kawasaki, Japan
MATERIAL: HOUSING; PBT CONTACT; BRASS	FINISH: 仕上 SEE TABLE	CHECKED: K.BETSUJI	DATE: 03AUG05		
		APPROVED: K.BETSUJI			

64POS CAP HOUSING ASSY
 .040/.070 SERIES HYBRID I/O CONN.
 SIZE: A1 HOUSING; 00779 CONTACT; 178764
 SCALE: 2:1 SHEET 1 OF 1 REV D2